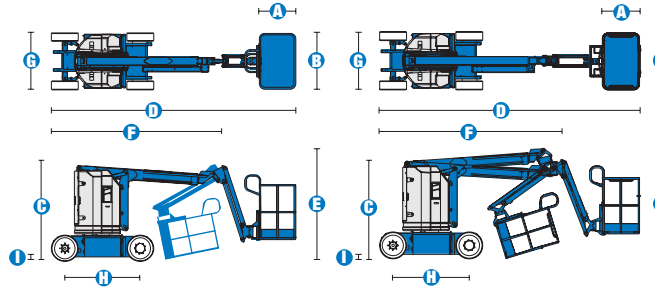


# SELF-PROPELLED ARTICULATING BOOMS

## Z™-30/20N & Z™-30/20N RJ



### Specifications



| MODELS                             | Z™-30/20N |               | Z™-30/20N RJ |               |
|------------------------------------|-----------|---------------|--------------|---------------|
| MEASUREMENTS                       | Metric    | US            | Metric       | US            |
| Working height maximum*            | 11.14 m   | 36 ft         | 10.89 m      | 35 ft 2 in    |
| Platform height maximum            | 9.14 m    | 30 ft         | 8.89 m       | 29 ft 2 in    |
| Horizontal reach maximum           | 6.53 m    | 21 ft 5 in    | 6.25 m       | 20 ft 6 in    |
| Up-and-over clearance              | 3.86 m    | 12 ft 8 in    | 3.86 m       | 12 ft 8 in    |
| <b>A</b> Platform length           | 76 cm     | 2 ft 6 in     | 76 cm        | 2 ft 6 in     |
| <b>B</b> Platform width            | 1.17 m    | 3 ft 8 1/4 in | 1.17 m       | 3 ft 8 1/4 in |
| <b>C</b> Height - stowed           | 2 m       | 6 ft 6 1/2 in | 2 m          | 6 ft 6 1/2 in |
| <b>D</b> Length - stowed           | 5.11 m    | 16 ft 9 in    | 5.31 m       | 17 ft 5 in    |
| <b>E</b> Storage height            | 2.08 m    | 6 ft 10 in    | 2.24 m       | 7 ft 4 in     |
| <b>F</b> Storage length            | 3.5 m     | 11 ft 6 in    | 3.66 m       | 12 ft         |
| <b>G</b> Width                     | 1.19 m    | 3 ft 11 in    | 1.19 m       | 3 ft 11 in    |
| <b>H</b> Wheelbase                 | 1.60 m    | 5 ft 3 in     | 1.60 m       | 5 ft 3 in     |
| <b>I</b> Ground clearance - centre | 9 cm      | 3.5 in        | 9 cm         | 3.5 in        |

| PRODUCTIVITY              |                      |               |                      |               |
|---------------------------|----------------------|---------------|----------------------|---------------|
| Lift capacity             | 227 kg               | 500 lbs       | 227 kg               | 500 lbs       |
| Platform rotation         | 180°                 | 180°          | 180°                 | 180°          |
| Vertical jib rotation     | 139°                 | 139°          | 139°                 | 139°          |
| Horizontal jib rotation   | —                    | —             | 180° (+72°/-67°)     | 180°          |
| Turntable rotation        | 355° non-continuous  |               | 355° non-continuous  |               |
| Turntable tailswing       | zero                 | zero          | zero                 | zero          |
| Drive speed - stowed      | 4.8 km/h             | 3.0 mph       | 4.8 km/h             | 3.0 mph       |
| Drive speed - raised**    | 1.1 km/h             | 0.68 mph      | 1.1 km/h             | 0.68 mph      |
| Gradeability***           | 35%                  | 35%           | 35%                  | 35%           |
| Turning radius - inside   | 1.65 m               | 5 ft 5 in     | 1.65 m               | 5 ft 5 in     |
| Turning radius - outside  | 3.23 m               | 10 ft 7 in    | 3.23 m               | 10 ft 7 in    |
| Controls                  | 24 V DC proportional |               | 24 V DC proportional |               |
| Tyres - solid non-marking | 56x18x45 cm          | 22x7x17.75 in | 56x18x45 cm          | 22x7x17.75 in |

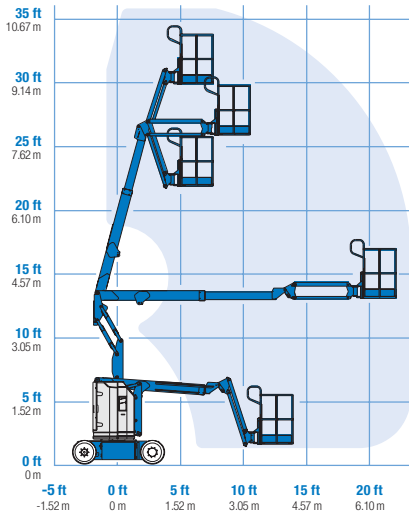
| POWER                   |  |         |  |         |
|-------------------------|--|---------|--|---------|
| Power source            | 48 V DC (Eight 6 V batteries<br>350 Ah capacity) |         | 48 V DC (Eight 6 V batteries<br>350 Ah capacity) |         |
| Auxiliary power unit    | 24 V DC  | 24 V DC | 24 V DC  | 24 V DC |
| Hydraulic tank capacity | 15.1 L   | 4 gal   | 15.1 L   | 4 gal   |

| WEIGHT**** |          |            |          |            |
|------------|----------|------------|----------|------------|
|            | 6,428 kg | 14,170 lbs | 6,450 kg | 14,220 lbs |

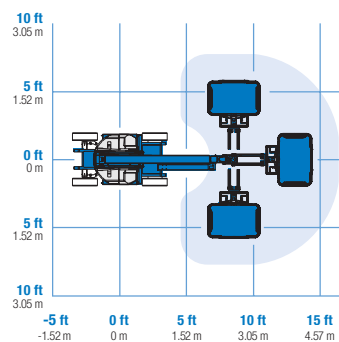
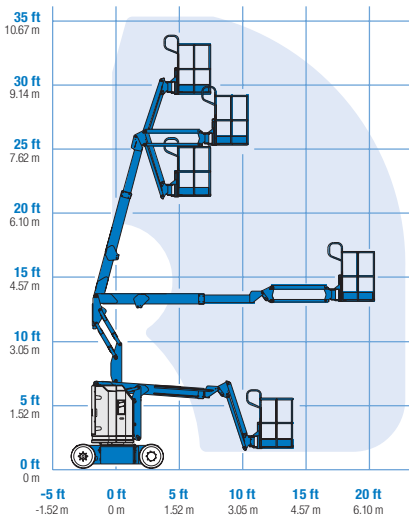
**STANDARDS COMPLIANCE** CE EN280, PB-10-611-03

\* The metric equivalent of working height adds 2 m to platform height. U.S. adds 6 ft to platform height.  
 \*\* In lift mode \*(platform raised), the machine is designed to operate on firm, level surfaces only.  
 \*\*\* Gradeability applies to driving on slopes. See Operator's Manual for details regarding slope ratings.  
 \*\*\*\* Weight will vary depending on options and/or country standards.

#### RANGE OF MOTION Z™-30/20N



#### RANGE OF MOTION Z™-30/20N RJ



## Features

### EASILY CONFIGURED TO MEET YOUR NEEDS

#### PLATFORM

- Steel 1.17 m (3 ft 84 in) (standard)

#### JIB OPTIONS

- 1.22 m (4 ft) jib boom
- 1.22 m (4 ft) horizontal rotating jib boom

#### POWER

- 48 V DC power source

#### DRIVE

- 2 x 4

#### TYRES

- Solid rubber non-marking

### STANDARD FEATURES

#### MEASUREMENTS

##### Z™-30N

- 11.14 m (36 ft) working height
- 6.53 m (21 ft 5 in) horizontal reach
- 3.86 m (12 ft 8 in) up-and-over clearance
- Up to 227 kg (500 lb) lift capacity

##### Z™-30N RJ

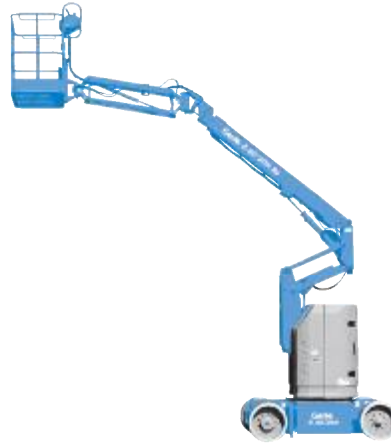
- 10.89 m (35 ft 2 in) working height
- 6.25 m (20 ft 6 in) horizontal reach
- 3.86 m (12 ft 8 in) up-and-over clearance
- Up to 227 kg (500 lb) lift capacity

#### PRODUCTIVITY

- 1.22 m (4 ft) jib boom with 139° working range
- Self-levelling platform
- Hydraulic platform rotation
- Fully proportional controls
- Thumb rocker steer
- Drive enable
- AC power to platform
- Horn
- Hour meter
- Tilt alarm
- Descent alarm
- 355° non-continuous turntable rotation
- Zero tailswing and front arm swing
- Sep-Ex drive system
- Certified load sensor

#### POWER

- 48 V DC deep cycle battery pack
- 24 V DC auxiliary power
- 25 Amp 48 V battery charger



### OPTIONS & ACCESSORIES

#### PRODUCTIVITY

- Platform swing gate
- Half-mesh platform inserts with swing gate
- Air line to platform
- Deluxe aircraft protection package (Z30N only)
- Fire resistant hydraulic oil
- Biodegradable hydraulic oil
- Tool tray
- Fluorescent tube caddy
- Pipe cradle (pair)
- Flashing beacon
- Travel alarm
- Platform work lights
- Lockable platform control box cover
- Front driving lights

#### POWER

- Battery charge indicator (BCI)
- Low voltage interrupt with BCI

#### Distributed By:

#### UK

Millennium House  
Brunel Drive  
Newark NG24 2DE  
UK  
Tel: +44 (0)1476 584333  
Fax: +44 (0)1476 584334

#### France

10, ZA de la Croix St. Mathieu  
28320 Gallardon  
France  
Tel: +33 (0)2 37 26 09 99  
Fax: +33 (0)2 37 26 09 98

#### Germany

Finienweg 3  
28832 Achim/Bremen  
Germany  
Tel: +49 (0)4202 8852-0  
Fax: +49 (0)4202 8852-25

#### Spain

Gaià 31, Pol. Ind. Plá d'en Coll  
08110 Montcada i Reixac  
Barcelona  
Spain  
Tel: +34 93 572 50 90  
Fax: +34 93 572 50 91

#### Scandinavia

Importgatan 17  
422 46 Hisings Backa  
Sweden  
Tel: +46 31 57 51 00  
Fax: +46 31 57 90 20

#### Middle East

Terex Middle East  
PO Box 282325, Dubai  
U.A.E.  
Tel: +971 4 885 8030  
Fax: +971 4 885 6364  
Email: awp.infome@terex.com

#### Genie United States

18340 NE 76th Street  
P.O. Box 97030  
Redmond, WA  
USA 98073-9730  
Tel: +1 425 881-1800  
Fax: +1 425 883-3475

**Email:** AWP-InfoEurope@terex.com

Effective date: December, 2008. Product specifications and prices are subject to change without notice or obligation. The photographs and/or drawings in this document are for illustrative purposes only. Refer to the appropriate Operator's Manual for instructions on the proper use of this equipment. Failure to follow the appropriate Operator's Manual when using our equipment or to otherwise act irresponsibly may result in serious injury or death. The only warranty applicable to our equipment is the standard written warranty applicable to the particular product and sale and we make no other warranty, expressed or implied. Products and services listed may be trademarks, service marks or trade-names of Terex Corporation, Genie Industries, Inc. and/or their subsidiaries in the U.S.A. and many other countries and. All rights are reserved. Terex is a Registered Trademark of Terex Corporation in the U.S.A. and many other countries. Genie is a Registered Trademark of Genie Industries, Inc in the U.S.A. and many other countries. Genie is a Terex Company. Copyright 2008 Terex Corporation